

# FIXED STEEL LADDERS

## SIDE-STEP AND WALK-THRU WELDED STEEL DOCK LADDERS

SEE PAGE 4

**NEW!**  
**MODULAR SERIES M**  
• Easier to Install  
• Reduces Freight Damage



### NOW

- FOUR MANUFACTURING LOCATIONS TO SERVE YOU CALIFORNIA, MICHIGAN, GEORGIA AND TEXAS
- 8 A.M. - 5 P.M., MON. THRU FRI. (eastern standard time)
- 810-679-4400 • FAX 810-679-4510
- TOLL FREE 800-5-LADDER



## Cotterman Co.

Division of Material Control, Inc.

P.O. BOX 168  
130 SELTZER RD.  
CROSWELL, MI 48422

www.cotterman.com  
info@cotterman.com



**NationalLadder.com**  
**Call Today: 888-725-5995**  
 Quality Product | Outstanding Customer Services | Attention to Details

# FIXED STEEL LADDERS —



Cotterman fixed steel ladders are designed for use where safe, solid vertical climbing access is required. Series F and Series M modular fixed steel ladders are available with and without walk-thru handrails at the top landing surface. Standard fixed and walk-thru models can be used up to 20'

**SERIES F FIXED LADDERS:** Ladders are heavy duty one-piece welded assemblies.

**SERIES M MODULAR FIXED LADDERS:** Ladders are heavy duty sub-assemblies, no section is greater than 7' in length.

**CONSTRUCTION FEATURES:**

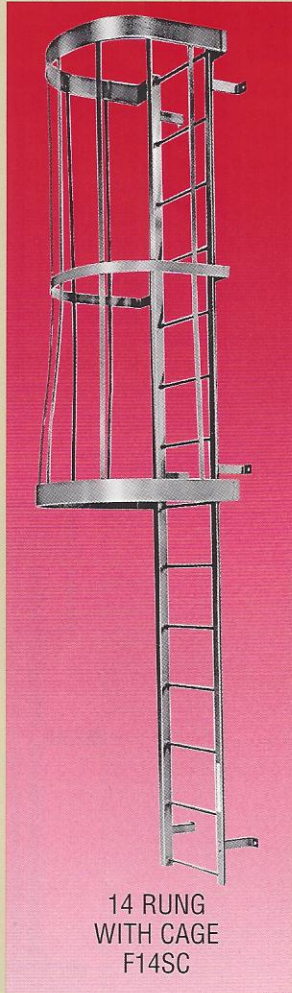
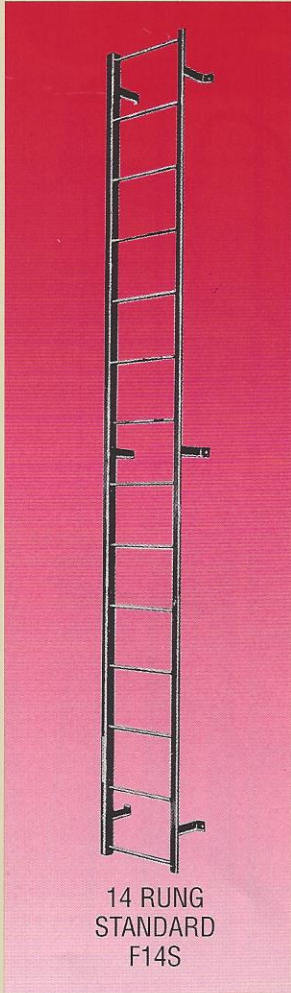
- Side members are 1/4"x2"x2" steel angle. Climbing rungs are 3/4" corrugated steel round rungs space on 12" centers. Stand-off brackets are 7".
- Gray powder coat finish is standard color, yellow available.

**FIXED LADDERS WITH SAFETY CAGES:**

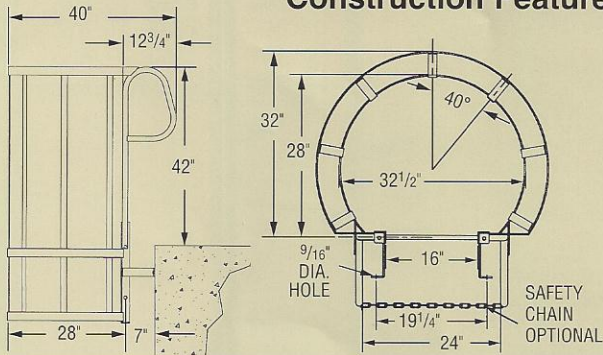
Standard fixed steel ladders are combined with safety cage protection. They are available in 10' through 29' sizes and are ideal for hatch-way or side step landing access.

**CAGE FEATURES:**

- OSHA design safety cages have flared bottom opening for easy entry.
- Left or right side step access cage designs are available at no charge.
- Cage begins 7' from bottom of ladder.
- Gray powder coat finish, yellow available.



**SERIES M - Modular Fixed Ladder Construction Features**



SPECIFICATIONS			STANDARD			WITH CAGE			
OVERALL LENGTH	LENGTH: TOP TO BOTTOM RUNG	NO. RUNGS	SERIES "F" MODEL NO.	SHPG. WT.	PRICE	SERIES "M" MODEL NO.	SERIES "F" MODEL NO.	SHPG. WT.	PRICE
3'3"	3'	4	F4S	41					
4'3"	4'	5	F5S	50					
5'3"	5'	6	F6S	58					
6'3"	6'	7	F7S	66					
7'3"	7'	8	F8S	75					
8'8"	8'	9	F9S	87					
9'3"	9'	10	F10S	95					
10'3"	10'	11	F11S	104		M11SC	F11SC	202	
11'3"	11'	12	F12S	112		M12SC	F12SC	223	
12'3"	12'	13	F13S	120		M13SC	F13SC	243	
13'3"	13'	14	F14S	129		M14SC	F14SC	260	
14'3"	14'	15	F15S	137		M15SC	F15SC	274	
15'3"	15'	16	F16S	149		M16SC	F16SC	299	
16'3"	16'	17	F17S	158		M17SC	F17SC	318	
17'3"	17'	18	F18S	166		M18SC	F18SC	338	
18'3"	18'	19	F19S	174		M19SC	F19SC	346	
19'3"	19'	20	F20S	183		M20SC	F20SC	368	
20'3"	20'	21	-	-		M21SC	F21SC	388	
21'3"	21'	22				M22SC	F22SC	406	
22'3"	22'	23				M23SC	F23SC	421	
23'3"	23'	24				M24SC	F24SC	442	
24'3"	24'	25				M25SC	F25SC	462	
25'3"	25'	26				M26SC	F26SC	482	
26'3"	26'	27				M27SC	F27SC	508	
27'3"	27'	28				M28SC	F28SC	528	
28'3"	28'	29				M29SC	F29SC	548	
29'3"	29'	30				M30SC	F30SC	568	

**OSHA NOTE:**  
Although not required by OSHA, safety caging is offered on 11 thru 20 rung models.

**OSHA NOTE:**  
Fixed ladder heights exceeding 20' are required to have safety caging.

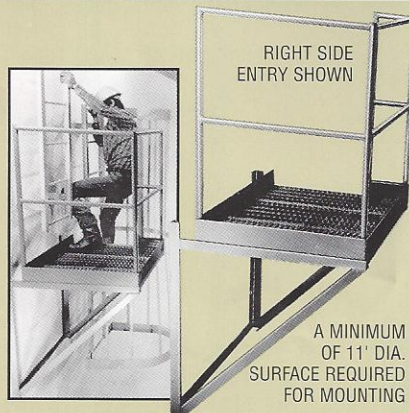
**OSHA NOTE:** Heights exceeding 30' require a standoff platform (see option model SP)

**SHIPPING NOTE:** All 15 thru 28 rung Series F models with cages ship in 2 sections. All 29 and 30 rung models ship in 3 sections.

**HOT DIP GALVANIZED FINISH OR STAINLESS STEEL CONSTRUCTION CAN BE QUOTED.**

## ACCESSORIES

Cotterman fixed steel ladder accessories are designed to provide an additional measure of safety or security for any fixed steel ladder.



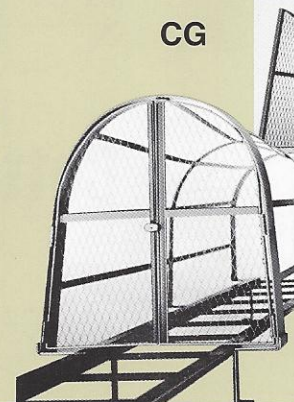
**SP**

**STANDOFF LANDING PLATFORM:**

Standoff landing platforms with offset caged ladders are required by OSHA Standard 1910.27 at 30' maximum height intervals. These rugged, pre-engineered platforms are constructed with left or right entries as required.

**OPTION SP . . . . .**  
Shipping wt. 165 lbs.

**CG**



# SERIES F AND SERIES M

without safety cages. OSHA requires safety cages on ladder heights exceeding 20'. Separate cages are offered for updating older ladders to current safety standards. All Cotterman fixed ladders meet or exceed ANSI A14.3, OSHA 1910.27 and 1926.1053 standards.

## FIXED LADDER WITH WALK-THRU HANDRAILS:

Ladders are designed for applications where safe landing access is required. They are one-piece welded assemblies for use in applications less than 20' in vertical height.

### CONSTRUCTION FEATURES:

- Side members are 1/4"x2"x2" steel angle. 3/4" corrugated steel round climbing rungs on 12" centers. Stand-off mounting brackets are 7".
- Walk-thru handrails extend 42" above landing surface. Mounting brackets included.
- Welded one-piece, gray powder coat finish, yellow available.

## FIXED LADDER WITH WALK-THRU HANDRAILS AND SAFETY CAGES:

Designed for safe landing access and available from 10' to 29'. Cages and walk-thru handrails extend 42" above landing surface.

### CAGE FEATURES:

- Safety cages are designed to OSHA specifications with flared bottom opening for easy entry.
- Cage begins 7' from bottom of ladder.
- Gray powder coat finish, yellow available.

SPECIFICATIONS			WALK-THRU RAIL		WITH WALK THRU & CAGE				
OVERALL LENGTH	LENGTH: TOP TO BOTTOM RUNG	NO. RUNGS	SERIES "F" MODEL NO.	SHPG. WT.	PRICE	SERIES "M" MODEL NO.	SERIES "F" MODEL NO.	SHPG. WT.	PRICE
6'8"	3'	4	F4W	68					
7'8"	4'	5	F5W	77					
8'8"	5'	6	F6W	85					
9'8"	6'	7	F7W	93					
10'8"	7'	8	F8W	102					
11'8"	8'	9	F9W	114					
12'8"	9'	10	F10W	122					
13'8"	10'	11	F11W	131					
14'8"	11'	12	F12W	139					
15'8"	12'	13	F13W	147					
16'8"	13'	14	F14W	158					
17'8"	14'	15	F15W	166					
18'8"	15'	16	F16W	178					
19'8"	16'	17	F17W	185					
20'8"	17'	18	F18W	193					
21'8"	18'	19	F19W	201					
22'8"	19'	20	F20W	210					
23'8"	20'	21	-	-					
24'8"	21'	22							
25'8"	22'	23							
26'8"	23'	24							
27'8"	24'	25							
28'8"	25'	26							
29'8"	26'	27							
30'8"	27'	28							
31'8"	28'	29							
32'8"	29'	30							

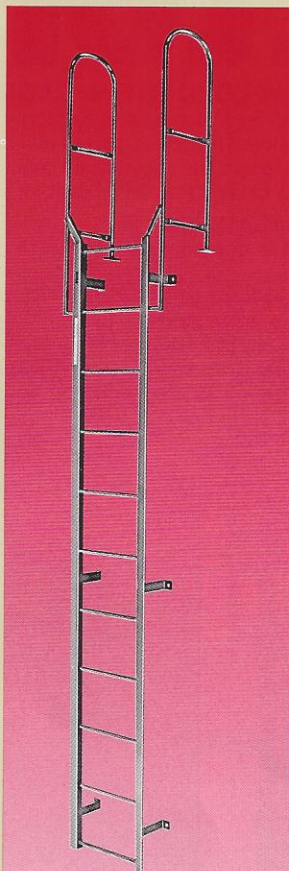
**OSHA NOTE:**  
Although not required by OSHA, safety caging is offered on 8 thru 20 rung models.

**OSHA NOTE:**  
Fixed ladder heights exceeding 20' are required to have safety caging.

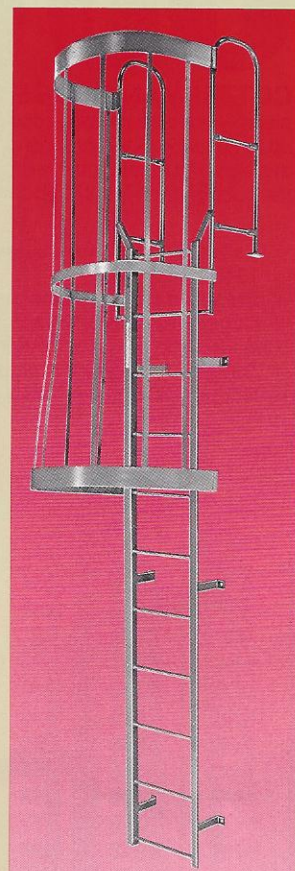
**OSHA NOTE:** Heights exceeding 30' require a standoff platform (see option model SP)

**SHIPPING NOTE:** All 15 thru 25 rung Series F models with cages ship in 2 sections. All 26 thru 30 rung models ship in 3 sections.

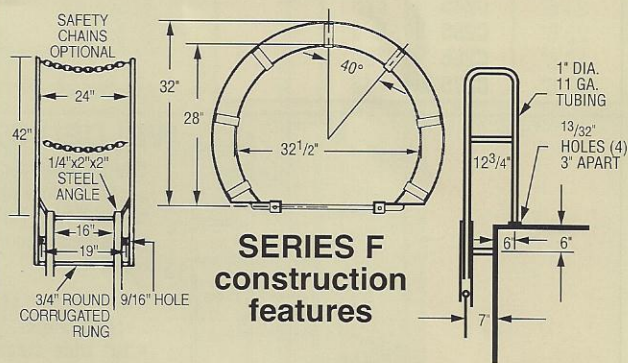
**HOT DIP GALVANIZED FINISH OR STAINLESS STEEL CONSTRUCTION CAN BE QUOTED.**



11 RUNG WITH WALK-THRU F11W



11 RUNG WITH WALK-THRU AND CAGE: F11WC

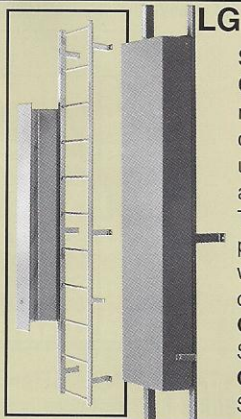


## SECURITY CAGE ENTRY GATE:

The cage security gate is designed to prevent unauthorized entry into the bottom of the ladder cage. Doors have lockable hasp for complete security.

### OPTION CG . .

Shipping wt. 20 lbs.



## LG

### SECURITY LADDER

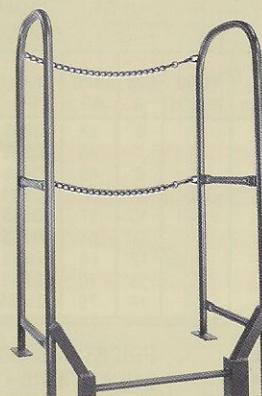
**GUARD:** The ladder guard is mounted directly over the ladder climbing rungs to prevent unauthorized use. It is available in either 6' or 8' lengths. The guard has a one piece piano hinge, and is furnished with lock-open and lock-closed hasps.

### OPTION LG-6 . . .

Shipping wt. 62 lbs.

### OPTION LG-8 . . .

Shipping wt. 83 lbs.



## D3

### SAFETY CHAIN ATTACHMENT:

The safety chain attachment is used on the walk-thru handrails to prevent accidental exit from the top landing surface.

### OPTION D3 . . .

# Cotterman®



"CHARGE IT"

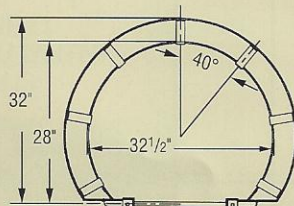
**COTTERMAN SERIES C WELDED STEEL CAGES** are one-piece welded assemblies designed for attachment to existing fixed ladders up to 20" wide. A wide range of standard lengths is offered with custom sizes available. To determine the proper length, the cage should begin 7' to 8' from the floor and extend 42" above the landing surface (except for hatchways).

**FEATURES:**

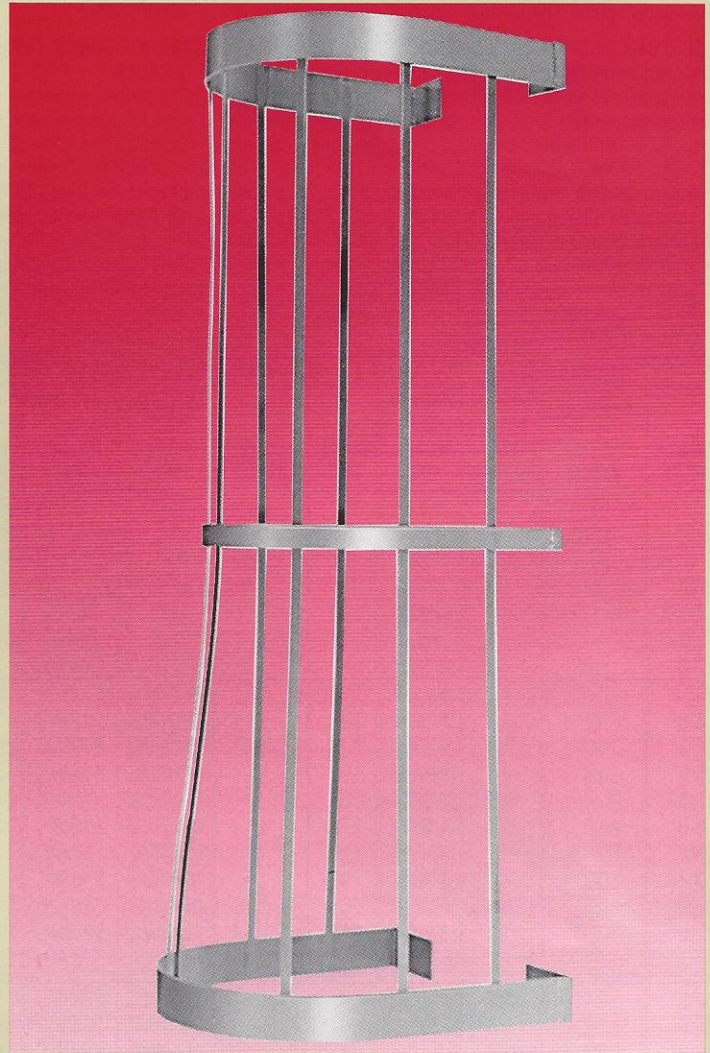
- Series C cages are designed in compliance with OSHA Standards 1910.27
- Standard cage lengths are available from 7'6" to 27'6".
- Cages are crated for shipping protection.
- Wider bottom flare openings are provided for easy entry.
- One-piece all welded steel with gray powder coat finish.
- Hot dip galvanized finish or stainless steel construction can be quoted.

## SERIES C WELDED STEEL CAGES

LENGTH	MODEL NO.	SHPG. WT.	PRICE
7'6"	C075	234	
8'6"	C085	268	
9'6"	C095	291	
10'6"	C105	313	
11'6"	C115	336	
12'6"	C125	370	
13'6"	C135	393	
14'6"	C145	415	
15'6"	C155	438	
16'6"	C165	472	
17'6"	C175	494	
18'6"	C185	517	
19'6"	C195	539	
20'6"	C205	574	
21'6"	C215	596	
22'6"	C225	619	
23'6"	C235	650	
24'6"	C245	675	
25'6"	C255	698	
26'6"	C265	720	
27'6"	C275	743	



©COPYRIGHT COTTERMAN CO. 1986



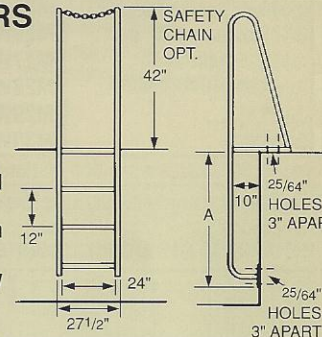
SIDE-STEP  
7 RUNG - D3SS

## WELDED STEEL DOCK LADDERS

One-piece welded assemblies that provide safe access to docks and mezzanines. Walk-thru models have 42" high handrails. Side step models have step rungs plus 4 additional hand rungs.

**FEATURES:**

- Constructed of 1 1/4" tube with 3/4" non-slip solid round rungs.
- 18" wide steps on side step models and 24" on walk-thru models, spaced on 12" centers.
- Walk-thru models have flat supports for easy mounting.
- Gray powder coat is standard finish.



WALK-THRU  
4 RUNG - D4WT

NO. STEP RUNGS	TOTAL RUNGS	DIM. B	SHPG. WT.	MODEL NO.	PRICE
2	2	6'	37	D2SS	
3	3	7'	40	D3SS	
4	4	8'	46	D4SS	
5	5	9'	50	D5SS	
6	6	10'	57	D6SS	
7	7	11'	61	D7SS	
8	8	12'	66	D8SS	
9	9	13'	70	D9SS	
10	10	14'	75	D10SS	

## SERIES D

NO. STEP RUNGS	DIM. A	SHPG. WT.	MODEL NO.	PRICE
2	1'6"	36	D2WT	
3	2'6"	39	D3WT	
4	3'6"	45	D4WT	
5	4'6"	49	D5WT	
6	5'6"	56	D6WT	
7	6'6"	60	D7WT	
8	7'6"	64	D8WT	
9	8'6"	68	D9WT	
10	9'6"	73	D10WT	

**Cotterman®**

PRICES SUBJECT TO CHANGE WITHOUT NOTICE • TAX NOT INCL. • 810-679-4400 • FAX 810-679-4510 • TOLL FREE 800-5-LADDER

**NationalLadder.com**

Call Today: 888-725-5995

Quality Product | Outstanding Customer Services | Attention to Details