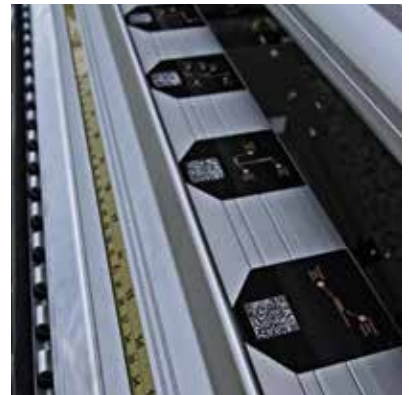


Tapco
Tools





Tapco Tools

While we invented the portable siding brake more than 50 years ago, there's no way we're sitting still. For your siding, roofing, trim and flashing fabrication needs, look no further than the many solutions offered by the world market leader, Tapco Tools.

Want to create a finishing touch that will distinguish your work? Turn to Tapco's Brake Buddy® roll-forming tool – a true job differentiator.

Need some business-boosting ideas? Visit the Tapco TV channel on YouTube for the most complete how-to video library and expand your brake know-how.

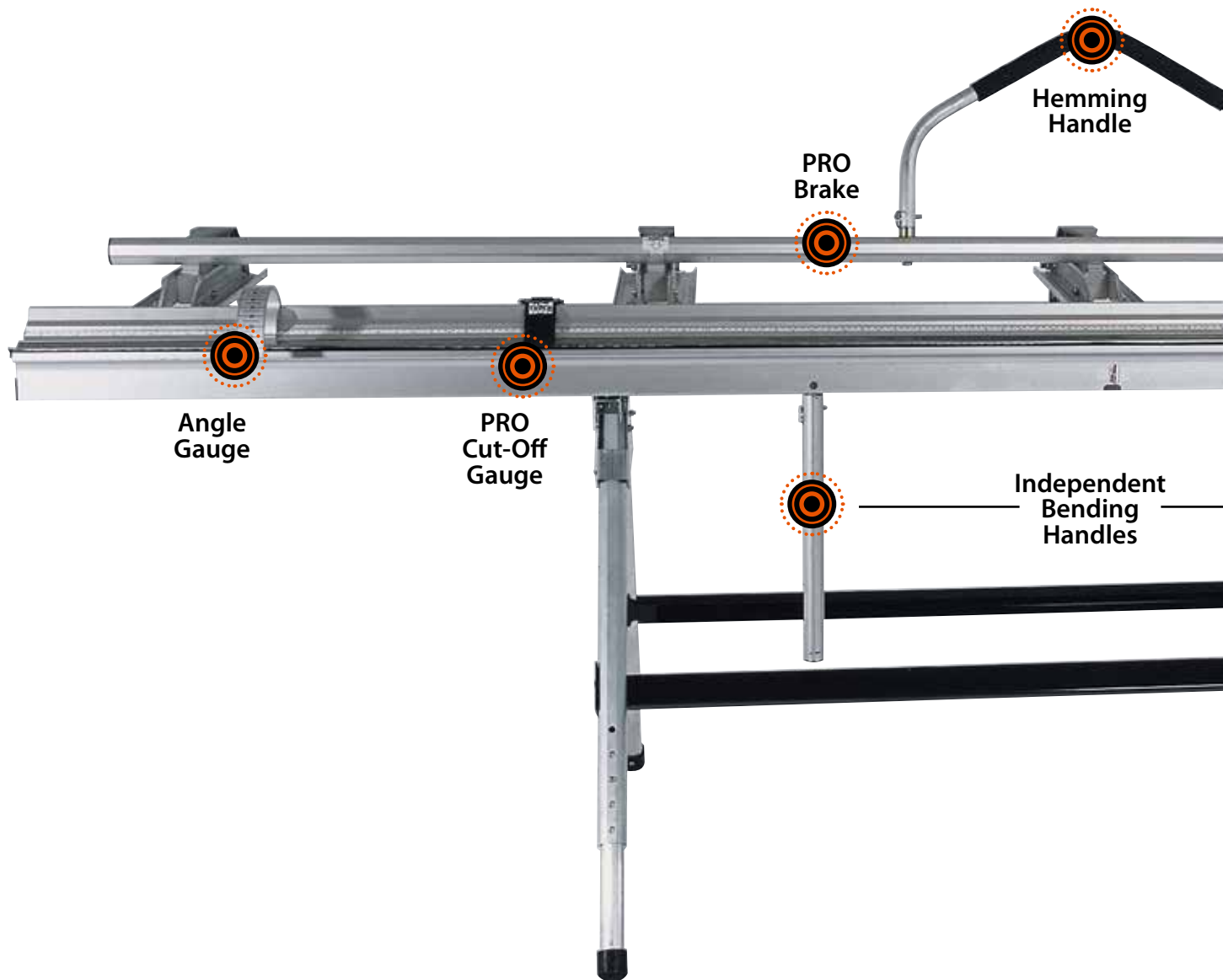
When you take a look at Tapco Tools, you won't need to look any further.



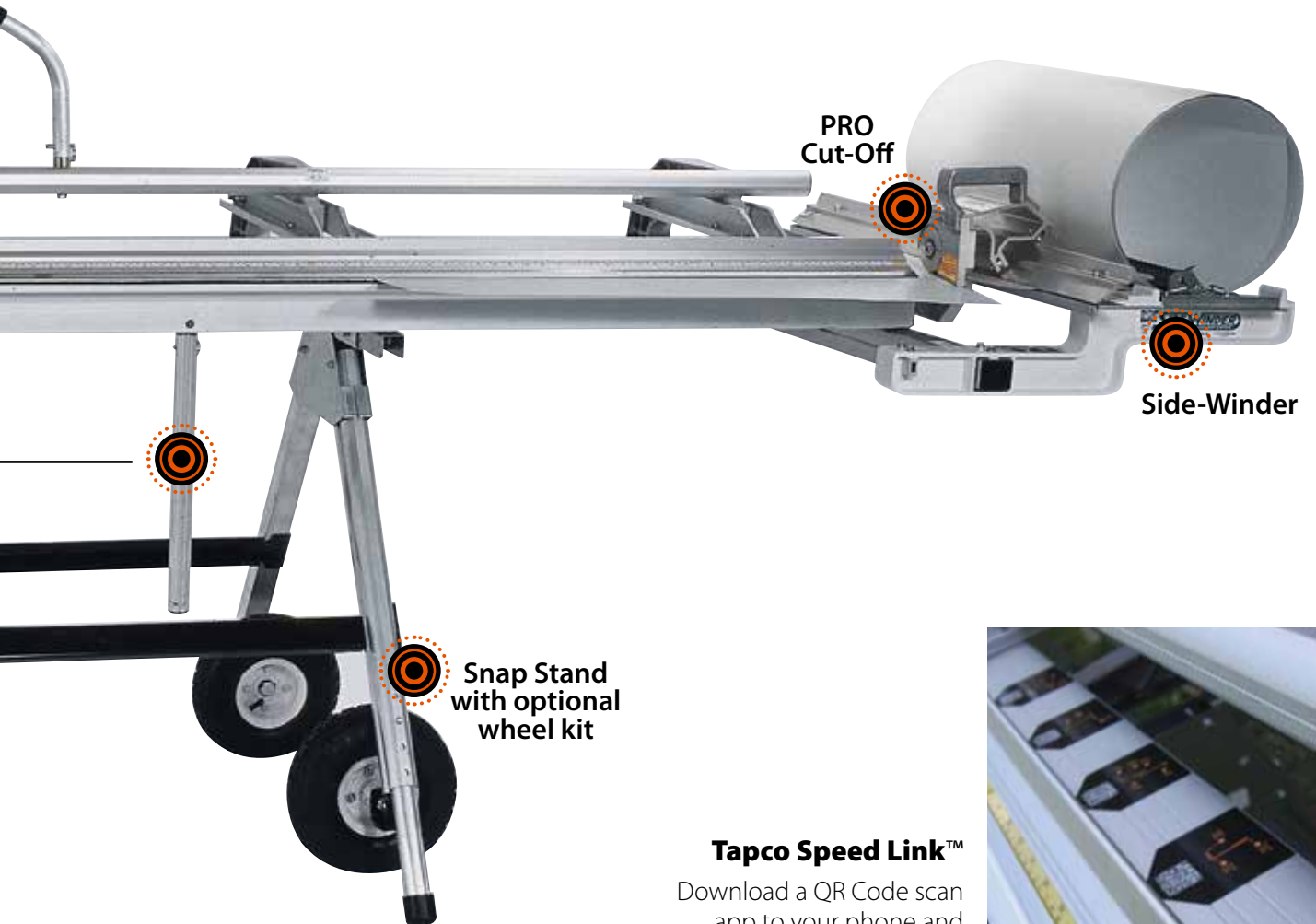
Working with you since 1961.

Tapco PRO Brakes

From soffit and fascia to custom brick mold, sill trim, window casing, chimney flashing and more, Tapco's PRO brake easily produces custom pieces for any siding and roofing application. The efficient pulling motion of the hemming handle keeps the material securely in place without interference and the unique toggle lock system reduces operator fatigue and excessive wear and tear. Independent bending handles allow for easy operation, letting you get closer to the work. The patented Moving Pivot Hinge provides increased bending power, and the unique hemming capability allows for 180-degree overbends to produce more rigid panels.



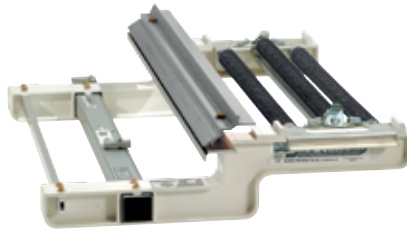
ITEM #	PRODUCT	LENGTH FEET/METERS		WORKING WEIGHT POUNDS/ KILOGRAMS		CAPACITIES
10556	PRO 19	8' 6"	2,59 m	96 lbs.	43,4 kg	Soft Aluminum: Up to .030 Galvanized Steel: Up to 28 ga. Copper sheet & coil: Up to 16 oz.
10558	PRO 19	10' 6"	3,20 m	121 lbs.	54,7 kg	
10560	PRO 19	12' 6"	3,81 m	147 lbs.	66,8 kg	
10565	PRO 14	8' 6"	2,59 m	87 lbs.	39,3 kg	Soft Aluminum: Up to .030 Galvanized Steel: Up to 28 ga. Copper sheet & coil: Up to 16 oz.
10567	PRO 14	10' 6"	3,20 m	106 lbs.	48,1 kg	
10569	PRO 14	12' 6"	3,81 m	129 lbs.	58,4 kg	
10568	PRO 14 Heavy Duty	10' 6"	3,20 m	127 lbs.	57,6 kg	Soft Aluminum: Up to .040 Galvanized Steel: Up to 26 ga. Copper sheet & coil: Up to 20 oz.
PRO 19: Throat depth 19" • Mouth opening 2-3/8"		PRO 14: Throat depth 14" • Mouth opening 2-3/8"				



Tapco Speed Link™
 Download a QR Code scan app to your phone and access our YouTube videos on specific brake bends.



The PRO System



Snap Stand®

Solid support for portable brakes and saw tables.

- Item #11720
- Legs adjust independently to level on uneven ground.
- Brakes and Tables easily snap and lock in place.
- Folds flat for easy storage and sets up in seconds.
- **Optional Wheel Kit** is easy to attach, Steel hub, 10" foam core. Item #14978



Side-Winder™

Keeps the coil at your side!

- Item #10776
- Allows you to feed coil directly into the jaws of your PRO Brake.
- Attaches in seconds to PRO Series brakes (1995 and after excluding 12'6")

PRO™ Cut-Off

Quickly and safely make factory quality cuts.

- Item #10379
- Lightweight aluminum construction built to last.
- Eliminates use of dangerous utility knives and open blades.
- Use with all PRO Series Brakes (1995 and after).
- Includes molded storage case.

All the tools you need to complete the job.



Angle Gauge

Take the guess work out of your bends.

- Item #11663
- Mounts easily on any PRO, MX Series, or MAX-I-MUM II brake built after 1995.
- Quickly shows the bending angle.



PRO™ Cut-Off Gauge

Makes cuts faster without measuring each cut.

- Item #12250
- Includes 2 gauges
- Easily identifies distance for Cut-Off usage.
- Simplifies cutting.
- For use with the PRO Series and MAX XL brakes.



Brake Buddy®

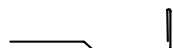
Roll forming tool for use with portable brakes.

- Item #11676
- Includes storage case
- Quickly and easily forms brick mold trim and decorative ribs.
- Enables you to offer added style and individuality to all your jobs.
- Easy adjustment with a flick of your wrist.

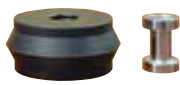
Optional Brake Buddy Rollers - Sold separately



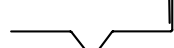
Traditional Brickmold Roller



Item #14555



V-Groove Rollers



Item #14547



Crown Mold Rollers



Item #14556

Standard Brake Buddy rollers - Included



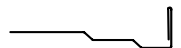
Rib Rollers



Item #14553



Brickmold Rollers



Item #14554

MAX-I-MUM XL System

Whether on the job site or at the shop, Tapco's MAX-I-MUM XL System's MAX-I-MUM II™ Brake delivers commercial-grade bending in a lightweight package. Weighing just 133 lbs. for the 8'6"-long model, the brake handles thick metals. The MAX-I-MUM XL System includes the MAX Snap Stand with Wheel Kit for full portability and easy one-man transport.

ITEM #	LENGTH FEET/METERS		WORKING WEIGHT POUNDS/ KILOGRAMS		CAPACITIES
11017	8' 6"	2,59 m	133 lbs.	60,1 kg	Aluminum: Up to .040 Galvanized Steel Painted: Up to 26 ga. Soft & Annealed Copper: Up to 32 oz. Stainless Steel, ½ hard: Up to 26 ga.
11018	10' 6"	3,20 m	158 lbs.	71,6 kg	
11019	12' 6"	3,81 m	190 lbs.	86,0 kg	
10997	14' 6"	4,42 m	217 lbs.	98,3 kg	
Throat depth: 19" • Mouth opening: 2 3/8"					

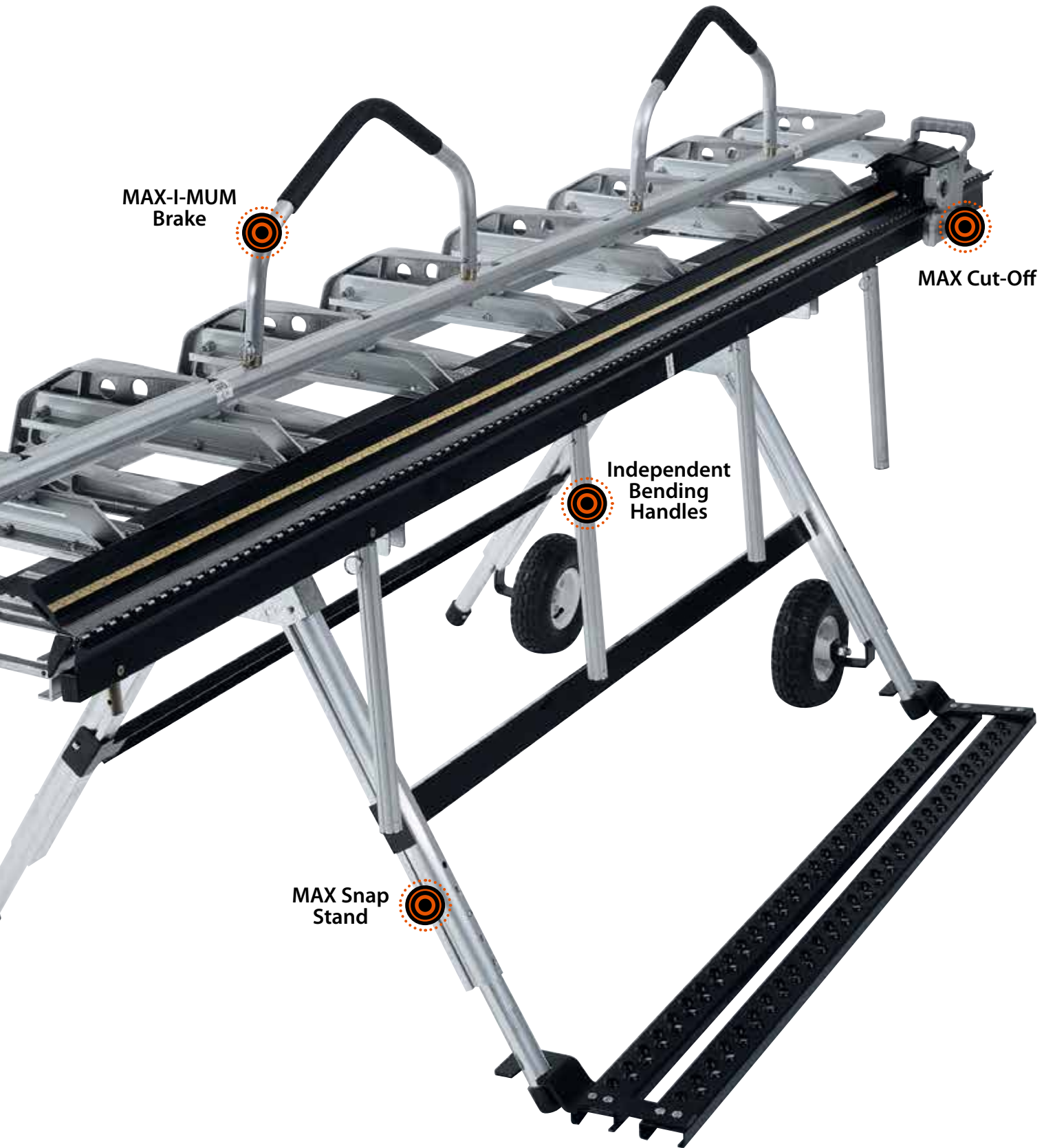


Adjustable MAX Cut-Off™

Makes factory quality cuts in commercial sheet metals right on your MX or MAX-I-MUM XL brake.

- Item #12261
- Adjustment allows cuts on a large range of materials.
- Eliminates the need for unsafe utility knives and conventional shears.
- Includes molded plastic storage case.





**MAX-I-MUM
Brake**



MAX Cut-Off



**Independent
Bending
Handles**



**MAX Snap
Stand**



Die castings with **reinforcing ribs** for increased bending performance.



Double-walled **pivot arms** provide added strength.



Moving hinge system is easy to maintain and increases bending power.



MX Brake



Ergonomic handles offer a better grip and added leverage.



MX Stand offers complete stability with its trapezoidal design and wider plank.



MX Series Brake

The solution for heavy-duty commercial bending power, the MX Commercial Bending System includes an **MX Series™ Brake**, **MX Stand™** and **Adjustable MAX Cut-Off™**. Stability and toughness are built into the MX Series Brake with double-walled pivot arms providing added strength and die castings with reinforcing ribs for increased bending performance and reduced deflection. The brake's ergonomic handles deliver a superior grip and added leverage while the easy-maintenance moving hinge system increases bending power without marring material. The MX Stand with its trapezoidal design and wide plank bring complete stability. The included Adjustable MAX Cut-off allows precise, factory-quality cuts on a wide range of materials. The heavy-duty roller shear eliminates the need for unsafe, repetitive utility knife and conventional sheer cutting, and provides a clean transfer of power with its comfortable, ergonomic handle.



**Adjustable
MAX Cut-Off**



ITEM #	LENGTH FEET/METERS		WORKING WEIGHT POUNDS/ KILOGRAMS		CAPACITIES
14470	8' 6"	2,59 m	165 lbs.	74,84 kg	All Vinyl Sheet Aluminum: Up to 16 ga. (.040)
14471	10' 6"	3,20 m	208 lbs.	94,35 kg	Galvanized Steel: Up to 22 ga. CR Sheet & Coil Steel: Up to 22 ga.
14472	12' 6"	3,81 m	242 lbs.	109,77 kg	Soft & Annealed Copper: Up to 32 oz. Stainless Steel, ½ hard: Up to 24 ga.

Throat depth: 19-5/8" throat depth • Mouth opening: 1-7/16"
180° hemming capacity for making more rigid panels.

“Windy” SP

For more than 30 years, the “Windy” SP Port-O-Brake has been the tried-and-true workhorse of the industry. Lightweight yet durable, the Windy delivers versatility and portability to contractors, locking onto a wide variety of material thicknesses with no need for adjustments. Capable of 130-degree overbends, the Windy handles materials such as .030 soft aluminum and 29 ga. galvanized steel. From soffit and fascia to sill trim and window casing, the “Windy” SP produces custom pieces for various applications. The bending handle detaches for easy transport. Available 30" Folding Legs with sturdy tubular steel construction also enhance portability. Can be used with Tapco’s Brake Buddy roll-forming tool to quickly create brick mold trim and decorative ribs for jobs with individual style.



ITEM #	LENGTH FEET/METERS	WORKING WEIGHT POUNDS/ KILOGRAMS	CAPACITIES	
10828	8' 6"	2,59 m	86 lbs. 38,9 kg	Soft Aluminum: Up to .030 Galvanized Steel: Up to 29 ga.
10829	10' 6"	3,20 m	104 lbs. 47,2 kg	Copper: Up to 16 oz.

Throat depth 14" • Mouth opening: 3/4"

The brake that started it all.



Tables • Slitters • Accessories



Folding Legs

Light duty leg set for use with "Windy" SP or PRO 14.

- Item #10147 Windy
- Item #10148 PRO 14
- Tubular steel construction.
- 30" high, folds compactly.



PRO-Coiler™

Portable trim coil holder.

- Item #10367
- For use with the "Windy" SP, PRO 14, or Port-O-Slitter.
- Lightweight and easy to use.
- Attaches and detaches easily.
- Allows for easy coil changes in seconds.



Port-O-Slitter®

Portable precision slitting and rib forming system.

- Item #10385
- Two sets of cutting knives included to make single or multiple factory quality cuts.
- Forms strengthening ribs and perforates most materials.
- Optional accessories: 1/2 H.P. Motor Kit (specify 110v or 220v), Slitter Snap Stand (Item #12357), Slitter Cut-Off (Item #10667), and PRO-Coiler (Item #10367).

Port-O-Slitter shown with optional accessories: Slitter Snap Stand, Slitter Cut-Off, and PRO-Coiler



Additional job site essentials.



ProTrax shown on optional Snap Stand



ProTrax™ / MAXTrax™

The saw table designed for professional siding mechanics. Designed for oversized material.

- Item #11850 ProTrax
- Item #12282 MAXTrax
- Cuts multiple angles from 3/12 to 12/12.
MAXTrax: even on 16" panels.
- Accommodates almost any 7¼" circular saw.
- Captured saw track provides secure & safe operation.
- Free-floating saw boom for flexibility and time savings at the job site.
- Lightweight and durable tubular frame system.
- ProTrax: 13" deck width; extended full working length 16'; boom length 4"
- MAXTrax: 20" deck width; comes standard with ProTrax Extender Kit; boom length 8"

ProTrax Deck Extender Kit

Extend your saw table for wider materials.

- Item #11988
- Extends table deck to 20" to accommodate siding, soffit, and decorative siding profiles.
- Converts the saw table into a layout table or universal workstation.
- Kit contains 2 extension pieces.

ITEM #	PRODUCT	LENGTH		WORKING WEIGHT		CAPACITIES
		FEET/METERS		POUNDS/ KILOGRAMS		
10556	PRO 19	8' 6"	2,59 m	96 lbs.	43,4 kg	Soft Aluminum: Up to .030 Galvanized Steel: Up to 28 ga. Copper sheet & coil: Up to 16 oz.
10558	PRO 19	10' 6"	3,20 m	121 lbs.	54,7 kg	
10560	PRO 19	12' 6"	3,81 m	147 lbs.	66,8 kg	
10565	PRO 14	8' 6"	2,59 m	87 lbs.	39,3 kg	Soft Aluminum: Up to .030 Galvanized Steel: Up to 28 ga. Copper sheet & coil: Up to 16 oz.
10567	PRO 14	10' 6"	3,20 m	106 lbs.	48,1 kg	
10569	PRO 14	12' 6"	3,81 m	129 lbs.	58,4 kg	
10568	PRO 14 Heavy Duty	10' 6"	3,20 m	127 lbs.	57,6 kg	Soft Aluminum: Up to .040 Galvanized Steel: Up to 26 ga. Copper sheet & coil: Up to 20 oz.
11017	MAX-I-MUM XL	8' 6"	2,59 m	133 lbs.	60,1 kg	Aluminum: Up to .040 Galvanized Steel Painted: Up to 26 ga. Soft & Annealed Copper: Up to 32 oz. Stainless Steel, ½ hard: Up to 26 ga.
11018	MAX-I-MUM XL	10' 6"	3,20 m	158 lbs.	71,6 kg	
11019	MAX-I-MUM XL	12' 6"	3,81 m	190 lbs.	86,0 kg	
10997	MAX-I-MUM XL	14' 6"	4,42 m	217 lbs.	98,3 kg	
14470	MX	8' 6"	2,59 m	165 lbs.	74,84 kg	All Vinyl Sheet Aluminum: Up to 16 ga. (.040) Galvanized Steel: Up to 22 ga. CR Sheet & Coil Steel: Up to 22 ga. Soft & Annealed Copper: Up to 32 oz. Stainless Steel, ½ hard: Up to 24 ga.
14471	MX	10' 6"	3,20 m	208 lbs.	94,35 kg	
14472	MX	12' 6"	3,81 m	242 lbs.	109,77 kg	
10828	Windy "SP"	8' 6"	2,59 m	86 lbs.	38,9 kg	Soft Aluminum: Up to .030 Galvanized Steel: Up to 29 ga. Copper: Up to 16 oz.
10829	Windy "SP"	10' 6"	3,20 m	104 lbs.	47,2 kg	
11720	Snap Stand	—	—	37 lbs.	16,8 kg	—
14978	Wheel Kit for Snap Stand	—	—	10 lbs.	4,5 kg	—
10776	Side-Winder	—	—	24 lbs.	10,9	24" x 100' coil or maximum capacity up to 50 lbs.
10379	PRO Cut-Off	—	—	8 lbs.	3,6 kg	All Vinyl Aluminum: Up to .030, Galvanized Steel: Up to 28 ga. Copper: Up to 16 oz.
11663	Angle Gauge	—	—	1 lb.	0,45 kg	—
12250	PRO Cut-Off Gauge	—	—	1 lb.	0,45 kg	—
11676	Brake Buddy	—	—	13 lbs.	5,9 kg	.019 alum PVC coated alum vinyl coated trim coil
12261	Adjustable MAX Cut-Off	—	—	9 lbs.	4,1 kg	Aluminum: Up to .040 Galvanized Steel: Up to 24 ga. Soft Copper: Up to 32 oz. Stainless Steel: Up to 24 ga
11850	ProTrax	6'	2,54	82 lbs.	37,2 kg	Will accept material thickness up to 1.5"
12282	MAXTrax	6'	2,54	113 lbs.	51,3 kg	Will accept material thickness up to 1.5"
11988	ProTrax Deck Extender Kit	—	—	9 lbs.	4,1 kg	Up to 24" x 100' coil
10385	Port-O-Slitter	—	—	82 lbs.	37,2 kg	Soft Aluminum: Up to .030 Galvanized steel: Up to 28 ga. Copper: Up to 16 oz.
12357	Slitter Snap Stand	—	—	—	—	—
10667	Slitter Cut-Off	—	—	—	—	—
10147	Folding Legs - Windy	—	—	13 lbs.	5,9 kg	—
10148	Folding Legs - PRO 14	—	—	13 lbs.	5,9 kg	—
10367	PRO-Coiler	—	—	10 lbs.	4,5 kg	—



www.TapcoTools.com

